

LNC Concise 8-light candle chandelier, Matte Gold

Product listing capture — Lowes.com, July 8, 2026

Listing: LNC Concise 8-Light Matte Gold Metal Iron Chandelier

Lowe's Item #: 4996539 Model #: 36Z67VLWS362236 Lowe's

Sleek airy 8-light candle design, durable iron with matte gold finish

Size 26-in diameter x 35.5-in H, canopy 5-in diameter

Uses 8 E12 candelabra, max 40W incandescent or 9W LED equivalent (sold separately)

Adjustable overall height 39.5 to 77 inches

Flat, sloped, slanted, vaulted ceiling compatible

Dimmable with dimmable bulb and compatible dimmer

UL listed; 2-year quality warranty

Source: Lowes.com listing for item #4996539, model 36Z67VLWS362236. This document reproduces the listing's identity block and complete Overview section as published. The manufacturer document(s) published in this listing's Documents section (Dimensions Guide, Installation Manual) are appended to this PDF.



Chandelier

We want you to be safe while installing your beautiful chandelier! Refer to these guidelines to help prevent accidents and any damage. Be sure to consult your owner's manual for more detailed installation instructions or consult your local electrician. **Remember to turn off the power before starting to install your new chandelier for safety purposes.**

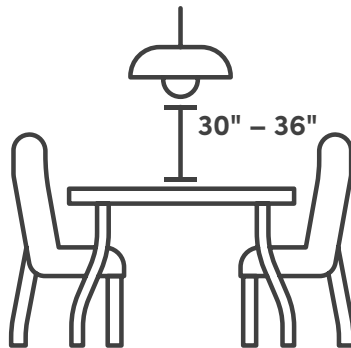
General Height Calculation

To figure out how far your chandelier should hang, we recommend 3" for every foot of space between the floor and ceiling. Simply multiply the height of your ceiling (in feet) by three. For example, if your ceilings are 8' high, your chandelier should be 24" tall ($8 \times 3 = 24$).

Room-Specific Height Calculation

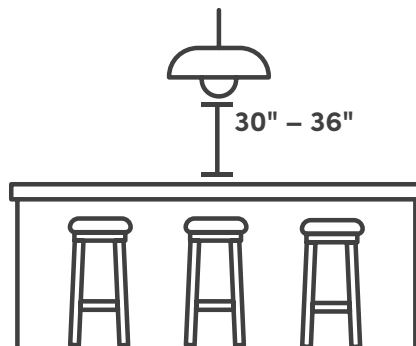
Dining Room

- **Hanging Height:** The bottom of the chandelier should hang 30" – 36" above the table.
- **Where to Hang:** Center the light above the middle of the table – not the middle of the room.



Kitchen Island

- **Hanging Height:** The bottom of the chandelier should hang 30" – 36" above the countertop.
- **Where to Hang:** Center the chandelier in the middle of the island.

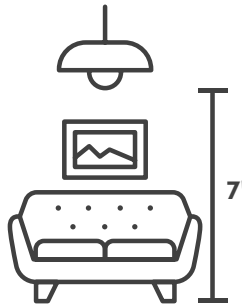


Entryway, Bedroom, or Living Room

- **Hanging Height:** Always have 7' of clearance between the bottom of the chandelier and the floor.
Note: For ceilings taller than 8', mount the chandelier an additional 3" higher for every extra foot above 8'.
- **Where to Hang:**
Entryway: Center the chandelier in the middle of the space.

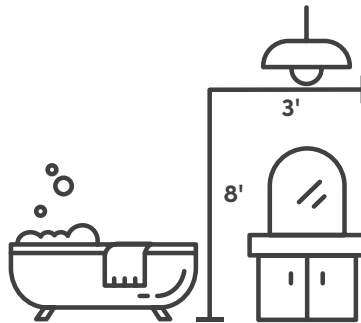
Tip: If you have a large foyer, place it over a round table for a bold statement!

Bedroom/Living Room: Place the chandelier in the middle of the room or above a bedside or coffee table.



Bathroom

- **Hanging Height:** Mount it at least 8' above the highest point from the tub's edge.
- **Where to Hang:** Due to strict building codes for wet environments, the chandelier must be at least 3' to the side of the tub or shower.
- **Caution:** Make sure that the chandelier is enclosed or made for moisture-rich environments.



How to Install Your Chandelier

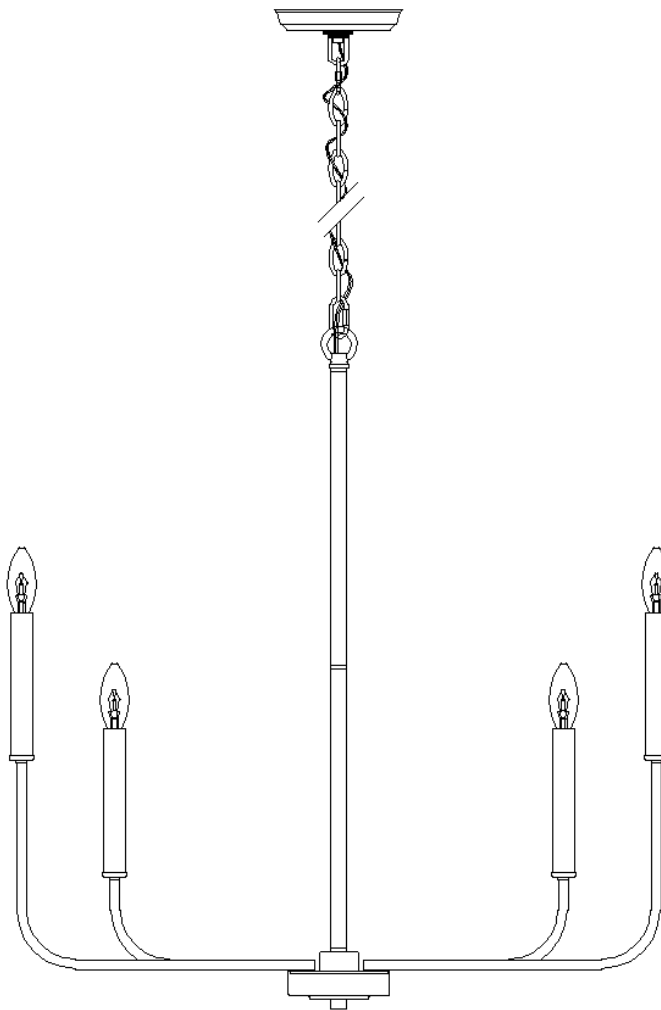
1. **Turn off the power.** Safety first!
2. **Attach your electric box.** Make sure it is secure and free of any frayed wires.
3. **Assemble your chandelier.** Follow the instructions in your user manual before hanging it up.
4. **Measure the chain.** Use the tips above to ensure it hangs at the perfect height.
5. **Attach the chandelier to the electric box.** Refer to your user manual for instructions.
6. **Connect the wires.** Most chandeliers will have a black wire and a white one. Twist the stripped end of the black wire from the ceiling to the fixture. Repeat with the white wire. Place the wires back in the electric box and secure it until it is closed.
7. **Please note this step can be tricky, so reach out to an electrician for assistance if needed.**
Screw in your lightbulbs. Enjoy your new light fixture!

Item Number: A03225/A03226/A03622

WARNING (To reduce the risk of fire, electric shock, or injury to persons):


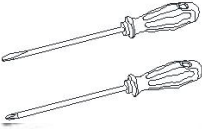
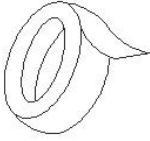


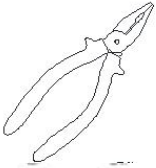
1. We suggest installation by a **licensed electrician**.
2. Please read the instruction carefully and save it as you may need it at later time.
3. Before you start, **NEVER** attempt any work without shutting off the electricity until the work is done. A). Go to the main fuse, or circuit breaker, box in your home. Place the main power switch in the **"OFF"** position. B). Place the wall switch in the **"OFF"** position.
4. Mounting surface should be clean, dry, flat, strong enough and 1/4" larger than the canopy on all side. Any gaps between the mounting surface and canopy exceeding 3/16" should be corrected as required.
5. Make sure that the ceiling or wall can stand the weight of the lamp before fixture.
6. Make sure the voltage you are using is **120V**. The maximum wattage is **Type B 40W** per bulb.
7. Keep the lamp away from acidic and basic objects in case of damaging the surface of the lamp.
8. When replacing bulb, you should turn off or unplug the lamp and you must wait until it is cool as bulbs get hot quickly.
9. The safety instructions appearing in this manual are not meant to cover all possible conditions that may occur. It must be understood that common sense, caution and care must be used with any electrical products.

IMAGE FOR FINISHED PRODUCT:



TOOLS REQUIRED (NOT INCLUDED):

Before doing assembly and installation please prepare the needed tools as below picture

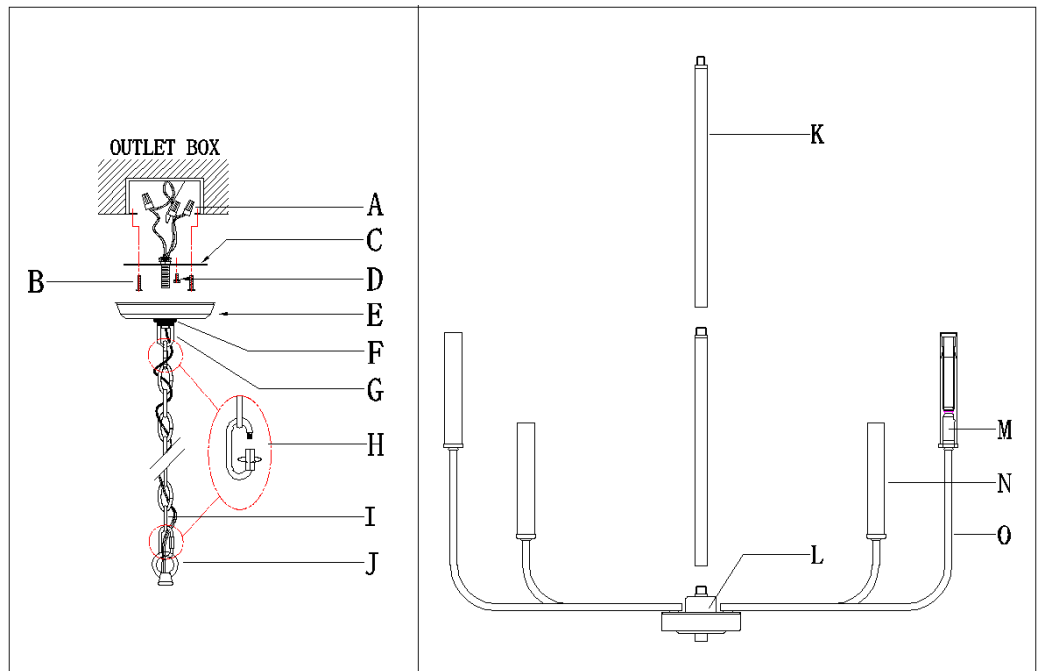
					
Ladder	Screwdriver	Electrical tape	Wrench	Wire cutter/stripper	Chain plier

PARTS INCLUDING:

- (C) Single bar (1)
- (D) Green ground screw (1)
- (E) Canopy (1)
- (F) Threaded ring (1)
- (G) Screw collar loop (1)
- (H) Quick link (2)
- (I) Chain (1)
- (J) Loop (1)
- (K) Tube (2)
- (L) Fixture body (1)
- (M) Steering joint (4)
- (N) Lamp holder casing (8)
- (O) Arm (8)

ACCESSORIES ENCLOSED:

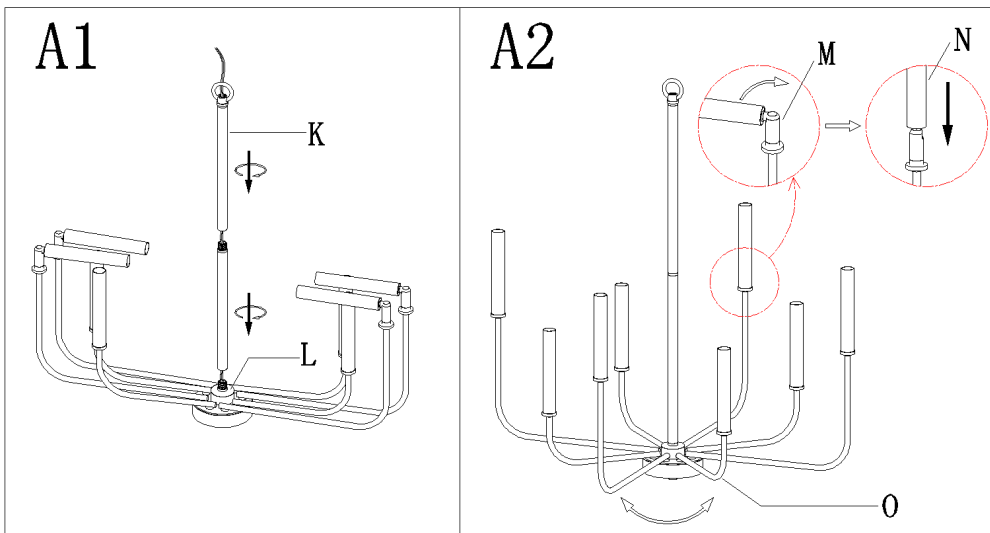
- (A) Plastic wire connector (3)
- (B) Mounting screw (2)



ASSEMBLY & INSTALLATION INSTRUCTIONS:

1. Carefully remove the fixture from the carton and check that all parts and accessories are included as shown in the above illustration

2. Make assembly

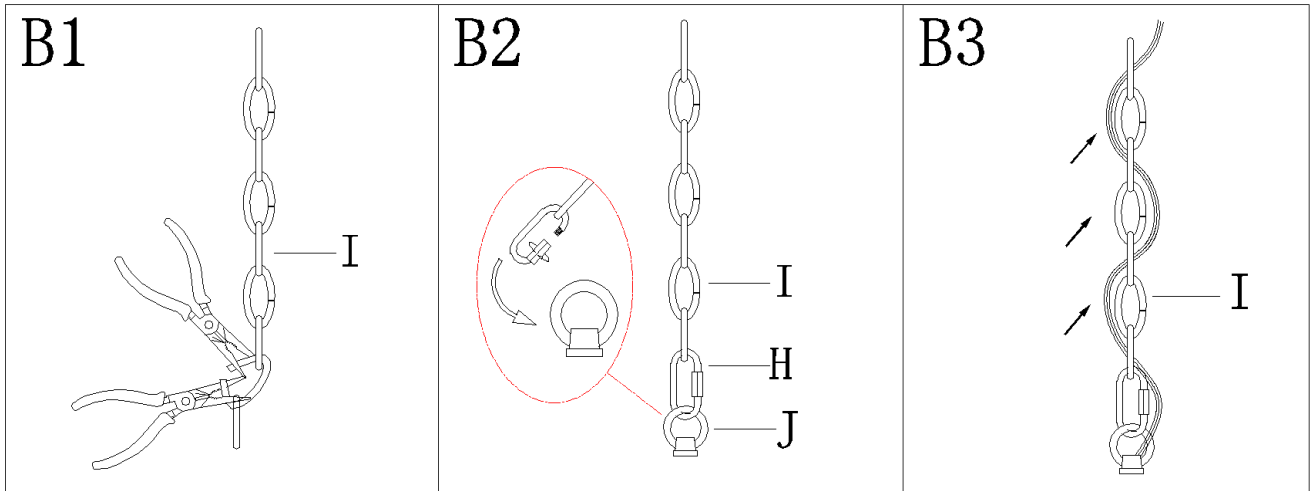


Sept A1: Screw the tubes (K) onto the fixture body (M).

Sept A2: Adjust the elbow (O) to the proper position.

Adjust the direction of the steering joints (M) vertically and place the Lamp holder casing (N) at the bottom.

3. Make pre-installation



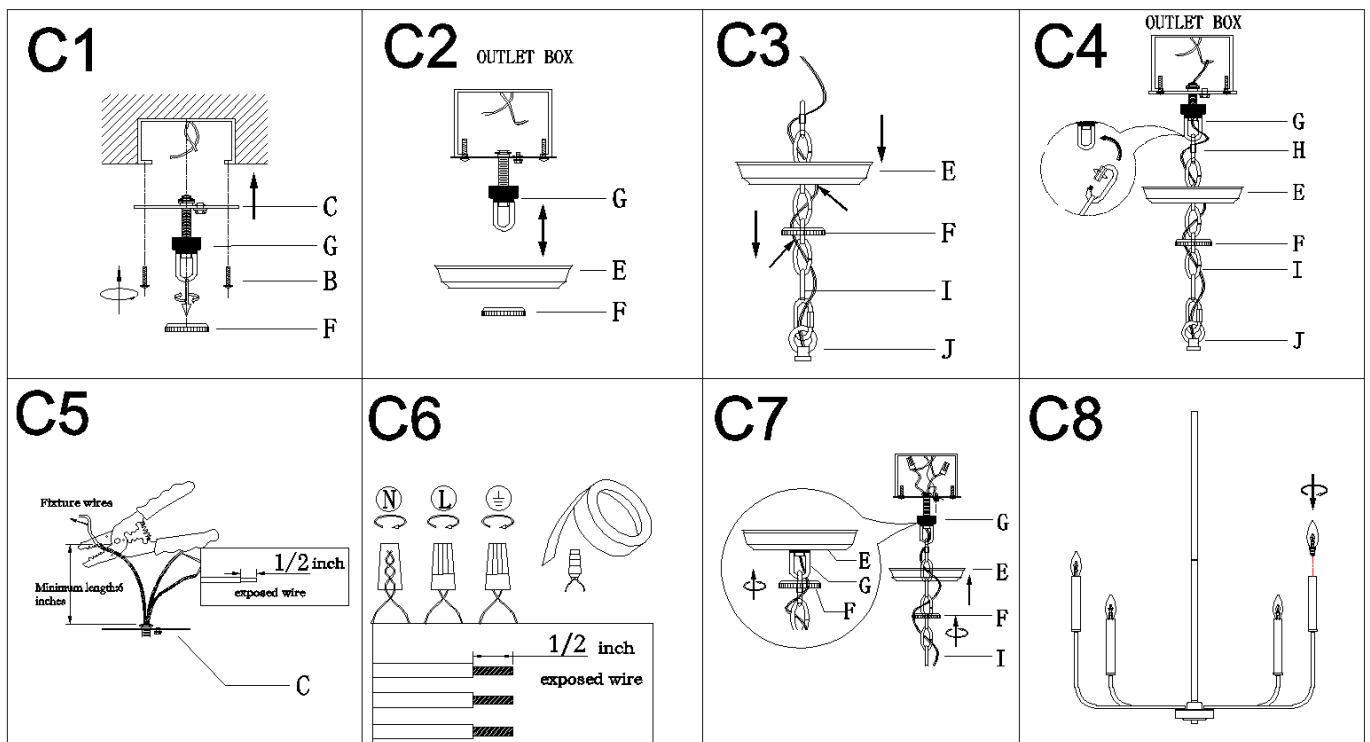
Step B1: By measuring, determine the correct number of links needed for proper hanging height. Using the chain pliers, disconnect and discard the remaining chain.

Step B2: Attach a quick link(H) to loop(J) on the top tube(K) and to connect the end of chain(I).

Step B3: Carefully lace the wires through the chain (I)(every other link)and stop just before you reach the top of chain (I). Gently pull the wires till snug.

4. Turn off power

5. Make installation



Step C1: Remove the threaded ring (F) from collar loop(G). Attach the single bar (C) to outlet box with mounting screws (B). The side of single bar marked "GND" must face out, Unscrew the collar ring (H) from the collar loop.

Step C2: Pass canopy (E) over the mounted collar loop (G) then secure with threaded ring (F) to test the height .Unscrew threaded ring (F) from collar loop (G) and remove the canopy (E).

Note: The canopy (E) should be snug against the ceiling and the collar loop (F) should be screwed enough threads (no less than 6 threads)over the threaded nipple for more secure hanging .If not, adjust the height of nipple and collar loop (G) until the desired height is reached. Remove the threaded ring (F) and canopy (E) and place to the side.

Step C3: Slip the threaded ring(F) over the chain(I),then do the same with the canopy(E).

Step C4: Open the quick link(H), attach the quick link (H) to connect the loop (G). Close the quick link(H).

Pass the wires through screw collar loop(G) to the top of nippleand gently pull till snug.

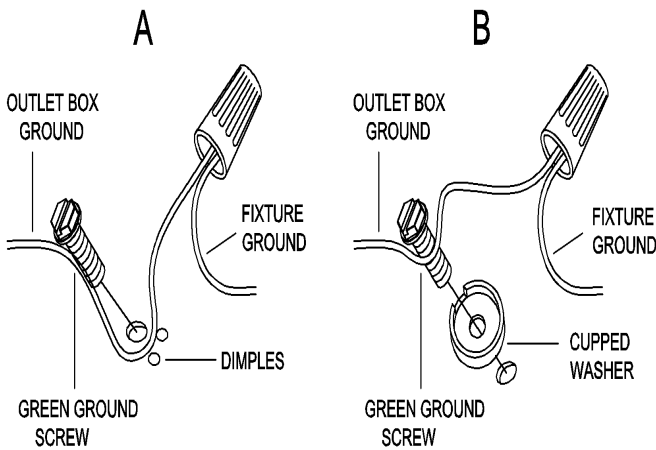
Step C5: If needed, cut off the wires length of fixture.At this point, the remaining wire length measured from the top single bar(C) is at least 6".

StepC6: Make wire connections.

Connect wires as below wires connecting shown. **TAKE NOTE OF YOUR COLOR OF FIXTURE ,NEVER CONNECT**

WIRES TO GROUND WIRES

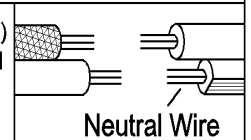
Connect ground wire according to below chart



Connect wires according to below chart

Connect Black or Red Supply Wire to:	Connect White Supply Wire to:
Black	White
*Parallel cord (round & smooth)	*Parallel cord (square & ridged)
Clear,Brown,Gold or Black without tracer	Clear,Brown,Gold or Black with tracer
Insulated wire (other than green) with copper conductor	Insulated wire (other than green) with silver conductor

*Note: When parallel wires (SPT I & SPT II) are used. The neutral wire is square shaped or ridged and the other wire will be round in shape or smooth (see illus.)



Twist plastic wire connector(A) until wires are tightly joined together,wrap each connector with approved electrical tape and carefully stuff all wires into the outlet box

Step C7: Raise canopy (E) to ceiling and secure canopy (H) in place by tightening threaded ring (F) onto collar loop (G).

Step C8: Install bulbs (not included) (Please do not exceed the maximum capacity recommended on the socket.)

6. Check everything already is installed properly, then you could turn on the light.

CLEANING

To clean, wipe fixture with a soft cloth. Do not use abrasive materials such as scouring pads or powders, steel wool or abrasive paper.

ORDERING PARTS

Keep this sheet for future reference, and in case you need to order replacement parts. All parts for this fixture can be ordered from place of purchase. Be sure to use exact wording from illustration when ordering parts.